

# Bimetal thermometer with switch contacts Model 55, stainless steel version

WIKA data sheet TV 25.01



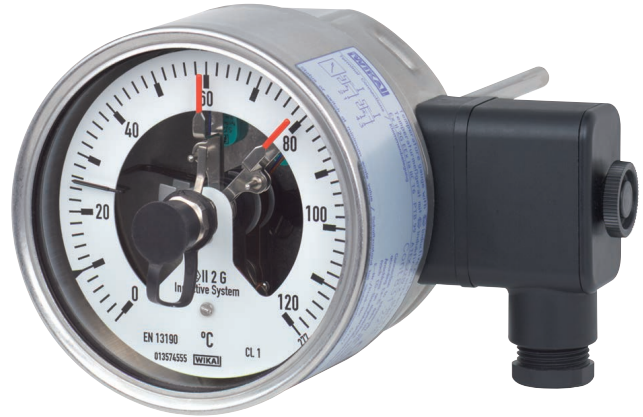
for further approvals  
see page 10

## Applications

- Control and regulation of industrial processes
- Monitoring of plants and switching of circuits
- Chemical industry, petrochemical industry, process technology and food industry
- For aggressive media

## Special features

- High reliability and long service life
- Universal application
- Case and stem from stainless steel
- Instruments with inductive contacts for use in hazardous areas with ATEX approval
- Instruments with electronic contact for PLC applications



**Bimetal thermometer with switch contacts, model 55**

## Description

Wherever the process temperature has to be indicated locally and, at the same time, circuits need to be switched, the bimetal thermometer with switch contacts finds its use.

Switch contacts (electrical alarm contacts) make or break an electric control circuit dependent upon the position of the instrument pointer. The switch contacts are adjustable over the full measuring range. The instrument pointer (actual value pointer) moves freely across the entire scale range, independent of the setting.

The set pointer can be adjusted via the window using a removable adjustment key (mounted on the cable terminal box).

Switch contacts consisting of several contacts can also be set to a single set point. Contact actuation is made when the actual value pointer travels beyond or below the desired set point.

As switch contacts, inductive contacts – for requirements to ATEX – or electronic contacts for triggering a PLC are available.

For further information on the different switch contacts please see data sheet AC 08.01.

## Standard version

### Measuring element

Bimetal coil

### Nominal size in mm

100

### Connection designs

S Standard (threaded connection) <sup>1)</sup>

- 1 Plain stem (without thread)
- 2 Male nut
- 3 Union nut
- 4 Compression fitting (sliding on stem)
- 5 Union nut and loose threaded connection

1) Not for version "adjustable stem and dial"

### Model overview

Model	Version
55	Back mount (axial)
	Lower mount (radial)
	Back mount, adjustable stem and dial

### Accuracy class

DIN 16196

### Working range

Normal (1 year): Measuring range (DIN 16196)

Short time (24 h max.): Scale range (DIN 16196)

### Case and bayonet ring

Stainless steel 1.4301

### Stem and process connection

Stainless steel 1.4571

### Dial

Aluminium white, black lettering

### Window

Instrument glass

### Pointer

Aluminium, black, adjustable pointer

### Electrical connection

Cable terminal box

### Permissible operating pressure at the stem

max. 25 bar, static

### Permissible ambient temperature at case

-20 ... +60 °C (others on request)

### Temperature limits for storage and transport

-20 ... +60 °C (EN 13190)

### Ingress protection

IP65 per IEC/EN 60529

## Switch contacts

### Inductive contact model 831

- Long service life due to non-contact sensor
- Additional control unit required
- With corresponding control unit suitable for use in zone 1 / 21 (2 GD) hazardous areas
- Low influence on the indication accuracy
- Fail-safe switching at high switching frequency
- Insensitive to corrosion
- Up to 2 switch contacts per measuring instrument

### Electronic contact model 830 E

- For direct triggering of a programmable logic controller (PLC)
- No additional control unit required
- Long service life due to non-contact sensor
- Low influence on the indication accuracy
- Fail-safe switching at high switching frequency
- Insensitive to corrosion
- Up to 2 switch contacts per measuring instrument

### Switching function

The switching function of the switch is indicated by index 1 or 2.

Model 8xx.1: Normally open (clockwise pointer motion)

Model 8xx.2: Normally closed (clockwise pointer motion)

### For further information see data sheet AC 08.01, electrical switch contacts

## Options

- Scale range °F, °C/°F (dual scale)
- Laminated safety glass, clear non-splintering plastic
- Stem Ø 6, 10, 12 mm
- Special measuring ranges or dial printing to customer specifications (on request)
- Inductive contacts also in safety version
- Case and bayonet ring stainless steel 1.4571
- Design per ATEX Ex II 2 GD c TX

## Scale range, measuring range, error limit (DIN 16196)

### Scale graduation per WIKA standard

Scale range in °C	Scale spacing in °C	Measuring range <sup>1)</sup> in °C	Error limit in °C	
			Class 1	Class 2
-70 ... +30	1	-60 ... +20	1.5	3.0
-50 ... +50	1	-40 ... +40	1.5	3.0
-30 ... +50	1	-20 ... +40	1.5	3.0
-20 ... +60	1	-10 ... +50	1.5	3.0
0 ... 60	1	10 ... 50	1.5	3.0
0 ... 80	1	10 ... 70	1.5	3.0
0 ... 100	1	10 ... 90	1.5	3.0
0 ... 120	2	10 ... 110	3.0	6.0
0 ... 160	2	20 ... 140	3.0	6.0
0 ... 200	2	20 ... 180	3.0	6.0
0 ... 250	5	30 ... 220	3.75	7.0
0 ... 300	5	30 ... 270	7.5	15.0
0 ... 400	5	50 ... 350	7.5	15.0
0 ... 500	5	50 ... 450	7.5	15.0
0 ... 600	10	100 ... 500	15.0	30.0

1) The measuring range is indicated on the dial by two triangular marks. Only within this range is the stated error limit valid per DIN 16196.

### Please indicate switch points!

Unless otherwise specified, the instrument will be delivered with the adjustable switching points factory-set as follows:

- Single contact      Start of measuring range
- Double contact     Start and end of the measuring range

## Accuracy

Stem diameter	Accuracy class <sup>2)</sup>	
	With single contact	With double contact
6 mm	Class 2	Class 2
8 mm	Class 1	Class 2
≥ 10 mm	Class 1	Class 1

2) Adjustable stem and dial version only available in class 2

## Specifications for switch contacts

### ■ Inductive contact model 831

Scale ranges	all
Nominal size in mm	100
Number of contacts	max. 2
Nominal voltage	8 V = (RI = 1 kΩ)
Operating voltage	DC 5 ... 25 V
Current supply	≥ 3 mA (measuring plate not detected) ≥ 1 mA (measuring plate detected)

The adjustment range of the contacts is 0 ... 100 % of the scale.

### Associated isolating amplifiers and control units

Model	Number of contacts	Ex version
904.28 KFA6 - SR2 - Ex1.W	1	yes
904.29 KFA6 - SR2 - Ex2.W	2	yes
904.30 KHA6 - SH - Ex1	1	yes - safety equipment
904.25 MSR 010-I	1	no
904.26 MSR 020-I	2	no
904.27 MSR 011-I	Two-point control	no

### ■ Electronic contact model 830 E

Scale ranges	all
Nominal size in mm	100
Number of contacts	max. 2
Range of operating voltage	DC 10 ... 30 V
Residual ripple	max. 10 %
No-load current	≤ 10 mA
Switching current	≤ 100 mA
Residual current	≤ 100 μA
Function of switching element	Normally open
Type of output	PNP transistor
Voltage drop (with $I_{max}$ )	≤ 0.7 V
Reverse polarity protection	conditional $U_B$ (the output 3 or 4 switch must never be set directly to minus)
Anti-inductive protection	1 kV, 0.1 ms, 1 kΩ
Oscillator frequency	approx. 1,000 kHz
EMC	per EN 60947-5-2
Temperature	$T_{amb}$ -20 ... +60 °C $T_{med}$ -20 ... +200 °C

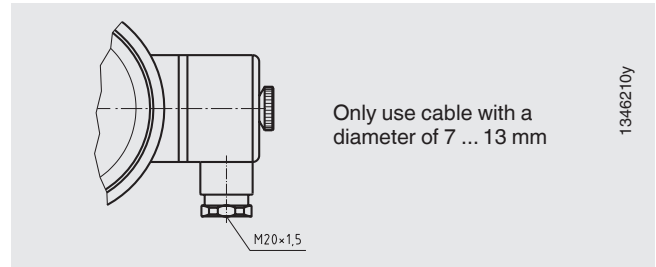
The adjustment range of the contacts is 0 ... 100 % of the scale.

## Electrical standard connections <sup>1)</sup>

For instruments with switch contacts and a max. of 2 contacts, front view:

Cable terminal box from PA 6, black  
 Temperature resistance -40 ... +80 °C, per VDE 0110  
 M20 x 1.5 cable gland (facing downwards), strain relief,  
 6 screw terminals + PE for conductor cross-section up to  
 1.5 mm<sup>2</sup>, fitted on the right-hand side of the case

1) Applies to all contacts



## Connection designs

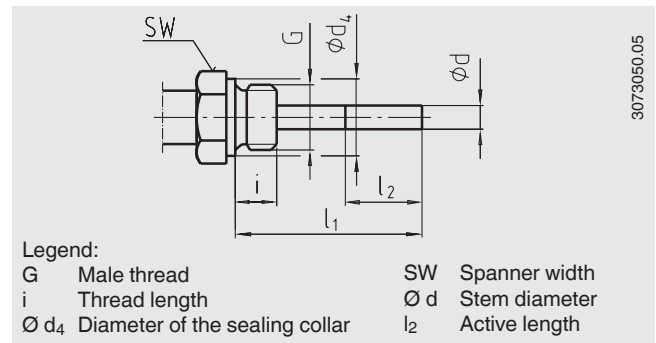
### Standard design (male thread connection) <sup>2)</sup>

G 1/2 B, G 3/4 B, 1/2 NPT, 3/4 NPT

Insertion length  $l_1 = 63, 100, 160, 200, 250$  mm

Nominal size	Process connection		Dimensions in mm		
	G	i	SW	$\varnothing d_4$	$\varnothing d$
100	G 1/2 B	14	27	26	8
	G 3/4 B	16	32	32	8
	1/2 NPT	19	22	-	8
	3/4 NPT	20	30	-	8

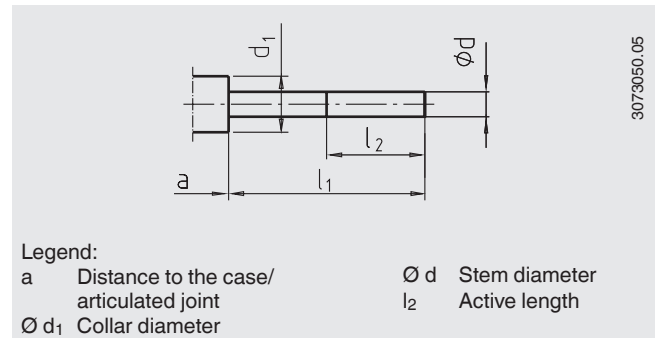
2) Not for version "adjustable stem and dial"



### Design 1, plain stem (without thread)

Insertion length  $l_1 = 140, 200, 240, 290$  mm

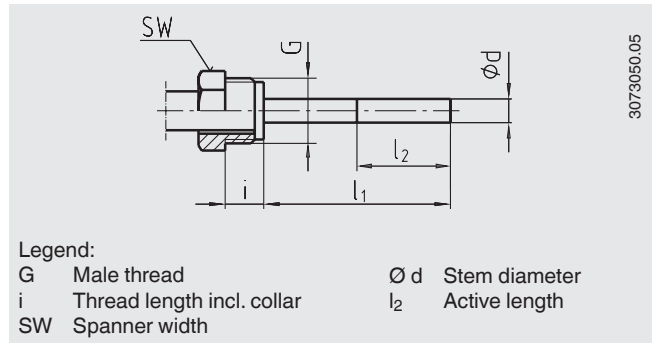
Nominal size	Dimensions in mm			
	$d_1$	$\varnothing d$	a for axial	a for adjustable stem and dial
100	18	8	15	25



### Design 2, male nut

Insertion length  $l_1 = 80, 140, 180, 230$  mm

Nominal size	Process connection		Dimensions in mm		
NS	G	i	SW	$\varnothing d$	
100	G 1/2 B	20	27	8	



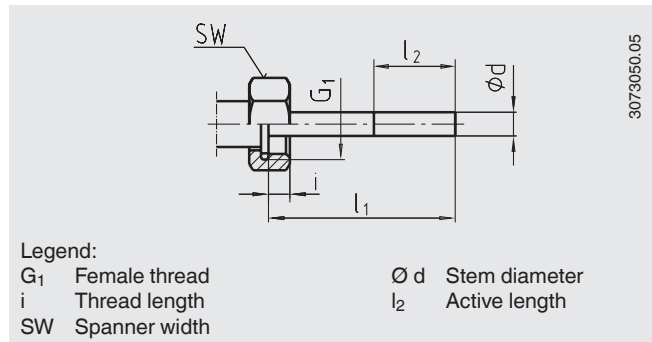
Legend:

G Male thread  $\varnothing d$  Stem diameter  
 i Thread length incl. collar  $l_2$  Active length  
 SW Spanner width

### Design 3, union nut

Insertion length  $l_1 = 89, 126, 186, 226, 276$  mm

Nominal size	Process connection		Dimensions in mm		
NS	G	i	SW	$\varnothing d$	
100	G 1/2 B	8.5	27	8	
	G 3/4 B	10.5	32	8	
	M24 x 1.5	13.5	32	8	



Legend:

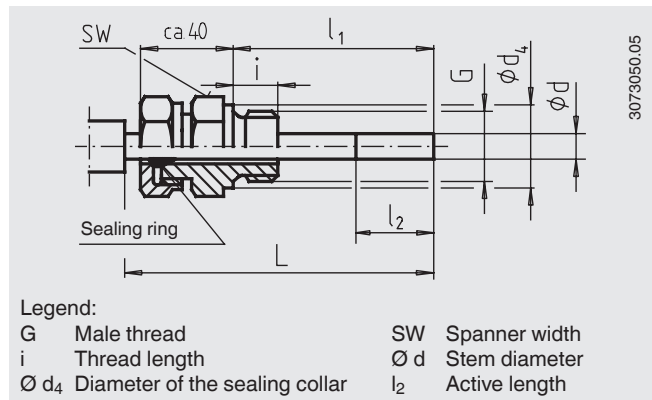
G<sub>1</sub> Female thread  $\varnothing d$  Stem diameter  
 i Thread length  $l_2$  Active length  
 SW Spanner width

### Design 4, compression fitting (sliding on stem)

Standard insertion length  $l_1 = 63, 100, 160, 200, 250$  mm

Length  $L = l_1 + 40$  mm

Nominal size	Process connection		Dimensions in mm			
NS	G	i	SW	$\varnothing d_4$	$\varnothing d$	
100	G 1/2 B	14	27	26	8	
	G 3/4 B	16	32	32	8	
	M18 x 1.5	12	24	23	8	
	1/2 NPT	19	22	-	8	
	3/4 NPT	20	30	-	8	



Legend:

G Male thread SW Spanner width  
 i Thread length  $\varnothing d$  Stem diameter  
 $\varnothing d_4$  Diameter of the sealing collar  $l_2$  Active length

### Design 5, union nut and loose threaded connection

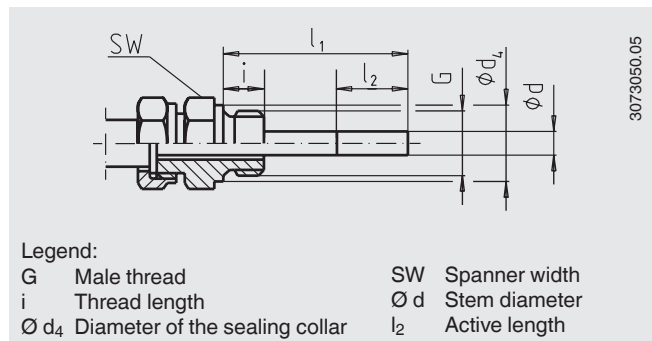
G 1/2 B, G 3/4 B, M18 x 1.5

Insertion length  $l_1 =$  variable

Length  $L = l_1 + 40$  mm

Stainless steel 1.4571

Nominal size	Process connection		Dimensions in mm			
NS	G	i	SW	$\varnothing d_4$	$\varnothing d$	
100	G 1/2 B	14	27	26	8	
	G 3/4 B	16	32	32	8	
	M18 x 1.5	12	24	23	8	

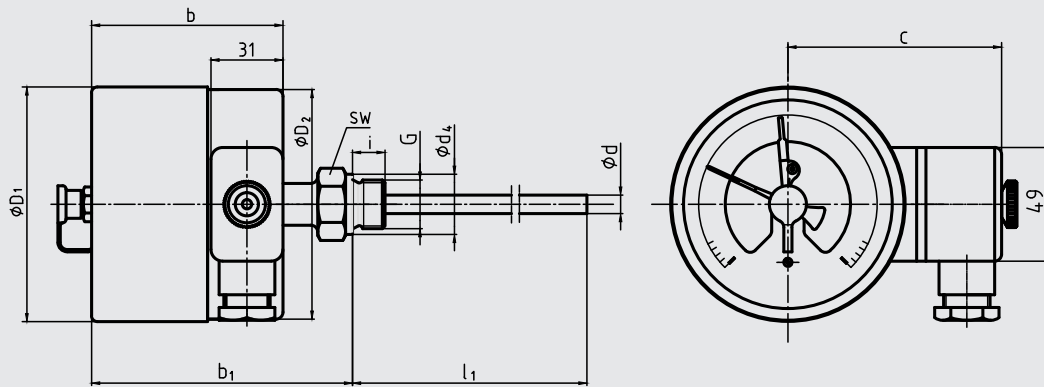


Legend:

G Male thread SW Spanner width  
 i Thread length  $\varnothing d$  Stem diameter  
 $\varnothing d_4$  Diameter of the sealing collar  $l_2$  Active length

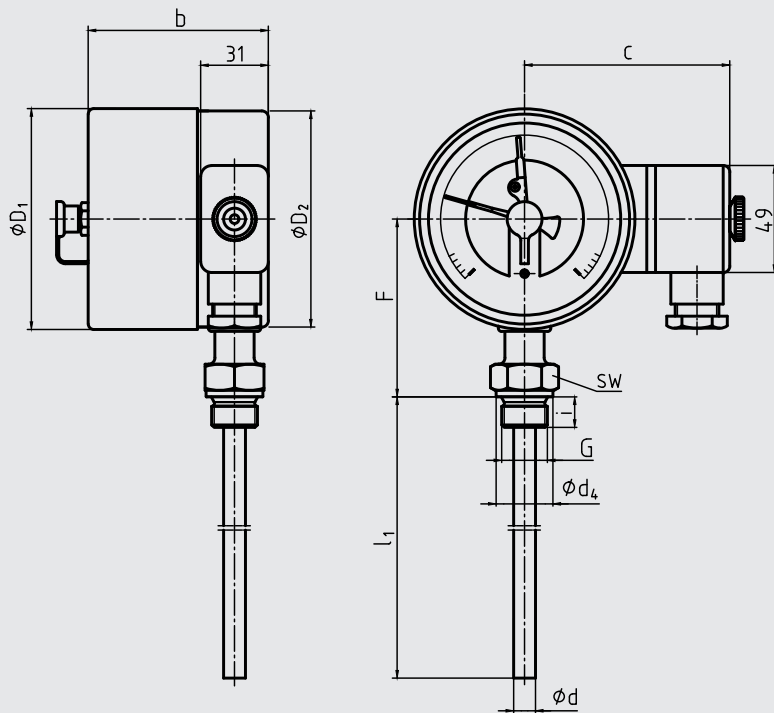
## Dimensions in mm

### Back mount



11442204.02

### Lower mount



11442255.02

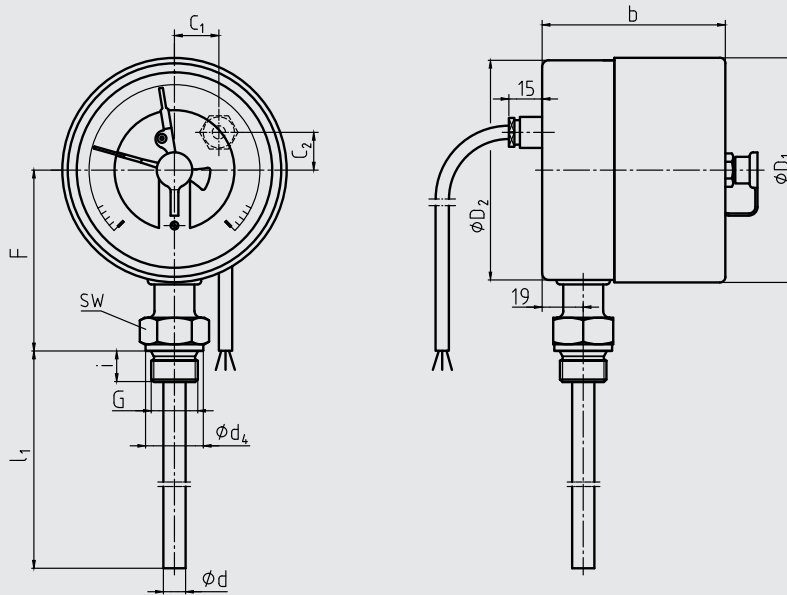
NS	Dimensions in mm									Weight in kg		
	$\varnothing d^{2)}$	$\varnothing d_4$	$\varnothing D_1$	$\varnothing D_2$	F <sup>1)</sup>	G	C	$d_4$	SW	axial	radial	adjustable stem and dial
100	8	26	101	99	83	G 1/2 B	94	26	27	1.0	1.1	0.7

NS	Dimensions in mm			
	Switch contact model 831		Switch contacts models 831.11 or 831.22	
	1- or 2-way			
	b	$b_1^{1)}$	b	$b_1^{1)}$
100	88	121	88	121

1) With scale ranges  $\geq 0 \dots 300 \text{ }^\circ\text{C}$  the dimensions increase by 40 mm

2) Option: Stem  $\varnothing 6, 10, 12 \text{ mm}$

Lower mount, with rear cable entry



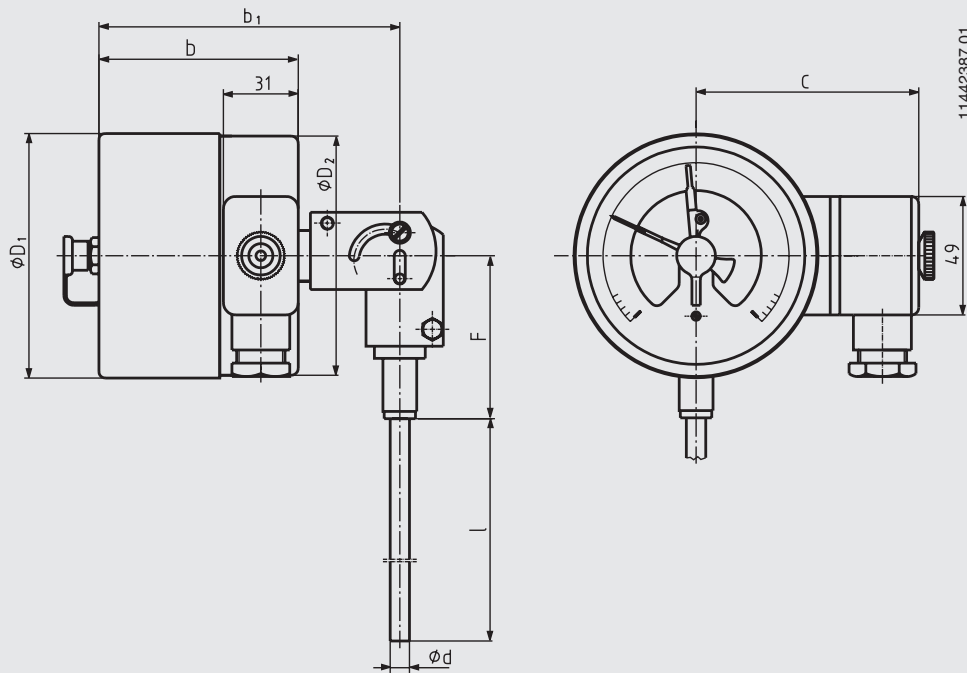
NS	Dimensions in mm										Weight in kg		
	Ø d <sup>2)</sup>	Ø d <sub>4</sub>	Ø D <sub>1</sub>	Ø D <sub>2</sub>	F <sup>1)</sup>	G	C <sub>1</sub>	C <sub>2</sub>	i	SW	axial	radial	adjustable stem and dial
100	8	26	101	99	83	G ½ B	20	17	14	27	1.0	1.1	0.7

NS	Dimensions in mm	
	Switch contact model 831	Switch contacts models 831.11 or 831.22
	1- or 2-way	
	b	b
100	88	88

1) With scale ranges ≥ 0 ... 300 °C the dimensions increase by 40 mm  
 2) Option: Stem Ø 6, 10, 12 mm



### Adjustable stem and dial version



**Attention:** For this version, a fixed design is not possible.

NS	Dimensions in mm					Weight in kg
	Ø d <sup>2)</sup>	Ø D <sub>1</sub>	Ø D <sub>2</sub>	F	C	
100	8	101	99	68	94	0.7

NS	Dimensions in mm			
	Switch contact model 831		Switch contacts models 831.11 or 831.22	
	1- or 2-way			
	b	b <sub>1</sub>	b	b <sub>1</sub>
100	88	131	88	131

2) Option: Stem Ø 6, 10, 12 mm








## Thermowell

In principle, the operation of a mechanical thermometer is possible without a thermowell with low process-side loading (low pressure, low viscosity and low flow velocities).

However, in order to enable exchanging the thermometer during operation (e.g. instrument replacement or calibration) and to ensure a better protection of the measuring instrument and also the plant and the environment, it is advisable to use a thermowell from the extensive WIKA thermowell portfolio.

For further information on the calculation of the thermowell, see Technical information IN 00.15.

## Approvals

Logo	Description	Country
	<b>EU declaration of conformity</b> <ul style="list-style-type: none"> <li>■ Low voltage directive</li> <li>■ RoHS directive</li> <li>■ ATEX directive (option) Hazardous areas</li> </ul>	European Union
	<b>EAC (option)</b> <ul style="list-style-type: none"> <li>■ Electromagnetic compatibility</li> <li>■ Low voltage directive</li> <li>■ Hazardous areas</li> </ul>	Eurasian Economic Community
	<b>GOST (option)</b> Metrology, measurement technology	Russia
	<b>KazInMetr (option)</b> Metrology, measurement technology	Kazakhstan
-	<b>MTSCHS (option)</b> Permission for commissioning	Kazakhstan
	<b>BelGIM (option)</b> Metrology, measurement technology	Belarus
	<b>UkrSEPRO (option)</b> Metrology, measurement technology	Ukraine
	<b>Uzstandard (option)</b> Metrology, measurement technology	Uzbekistan
-	<b>CRN (option)</b> Safety (e.g. electr. safety, overpressure, ...)	Canada

## Certificates (option)

- 2.2 test report
- 3.1 inspection certificate
- DKD/DAkkS calibration certificate

Approvals and certificates, see website

## Ordering information

Model / Nominal size / Type of contact and switching function / Scale range / Connection size / Connection location / Options

© 03/2009 WIKA Alexander Wiegand SE & Co. KG, all rights reserved.  
 The specifications given in this document represent the state of engineering at the time of publishing.  
 We reserve the right to make modifications to the specifications and materials.

